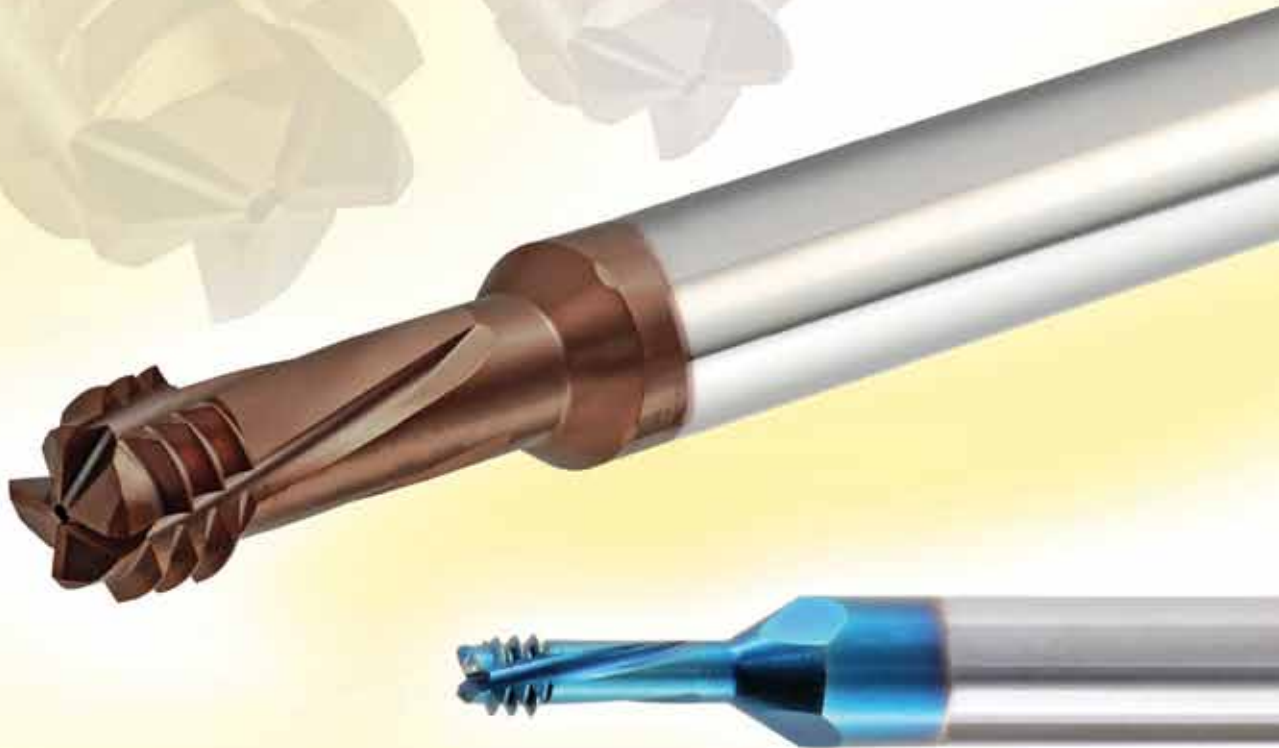


# DMT 3 in 1 - \*Drill, Thread, Chamfer



**High Performance tools with internal coolant supply for the production of internal threads.  
\*Circular movement produces the thread hole, the thread and a chamfer  
in one work process.**

**Carbide grade:** MT7 Sub-micron grade with Titanium Aluminum Nitride multi-layer coating (ISO K10-K20).  
MT11 Ultra - fine Sub-micron grade with advanced PVD triple Blue coating (for DMTH)

## Advantages of DMT

- Cancels the need for drilling the hole.
- Short cycle time and high performance reduces machining costs.
- Suitable for blind and through holes.
- Full Profile thread.
- No time lost for tool change, since drilling, chamfering and thread milling are done with one tool.
- Same tool for right-hand or left-hand threads.
- Cuts a wide range of materials.

### Contents:

Product Identification  
ISO  
UN

Page:

238  
239  
240

### Contents:

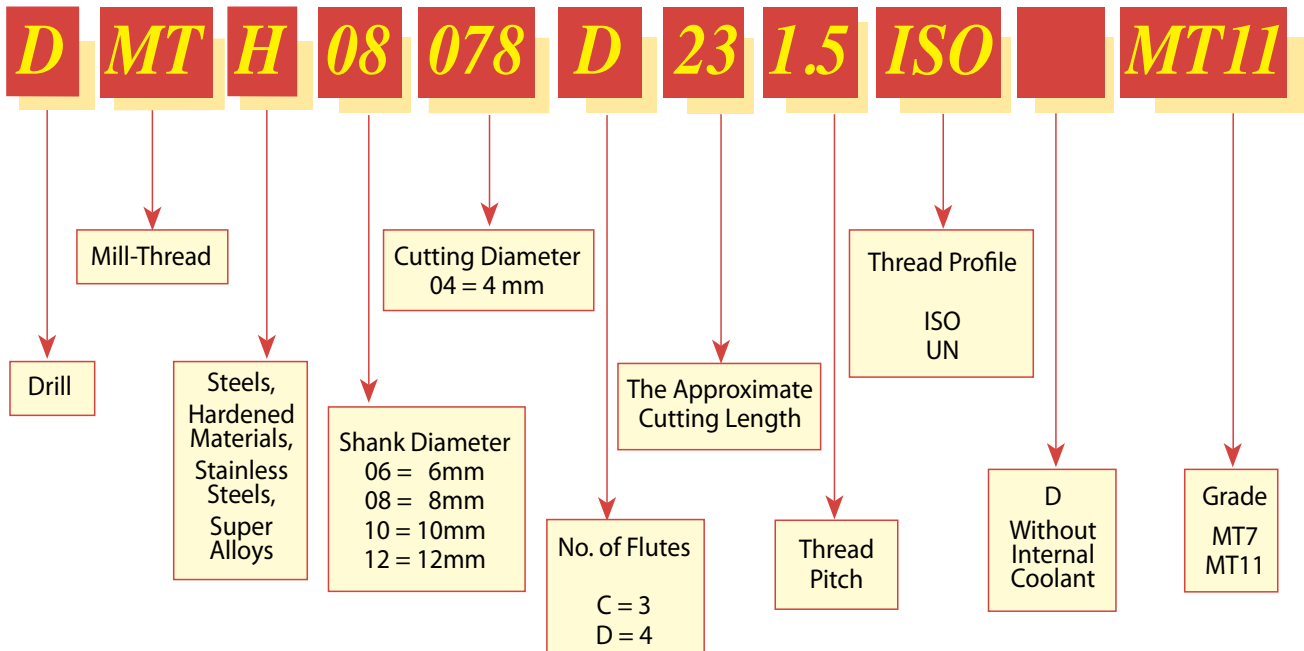
**DMTH**  
ISO  
UN

Page:

241  
241

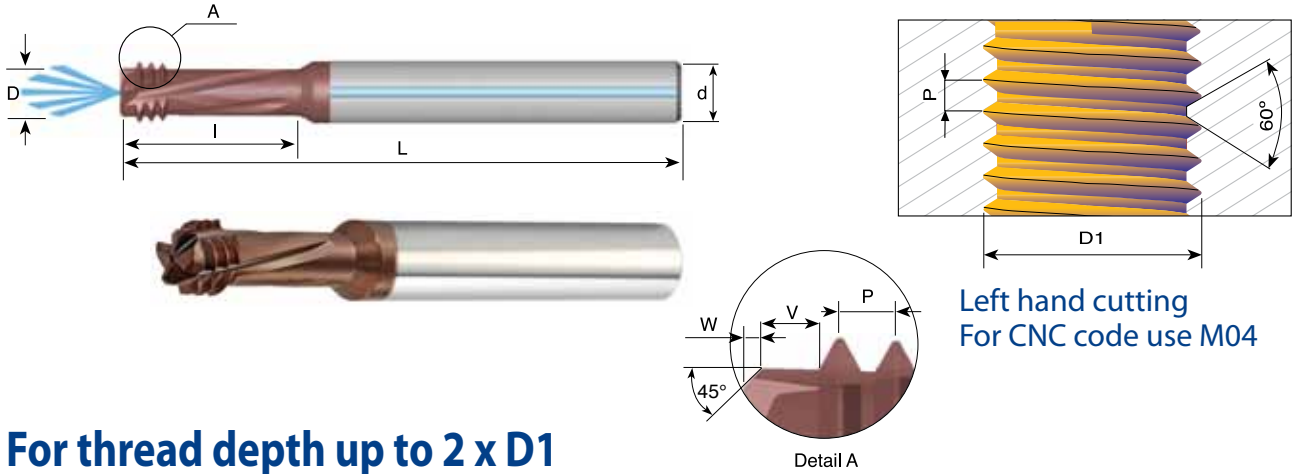
# Product Identification

## DMT 3 in 1 - \*Drill, Thread, Chamfer Ordering Codes



## ISO with internal coolant bore

### Tools for Internal Thread

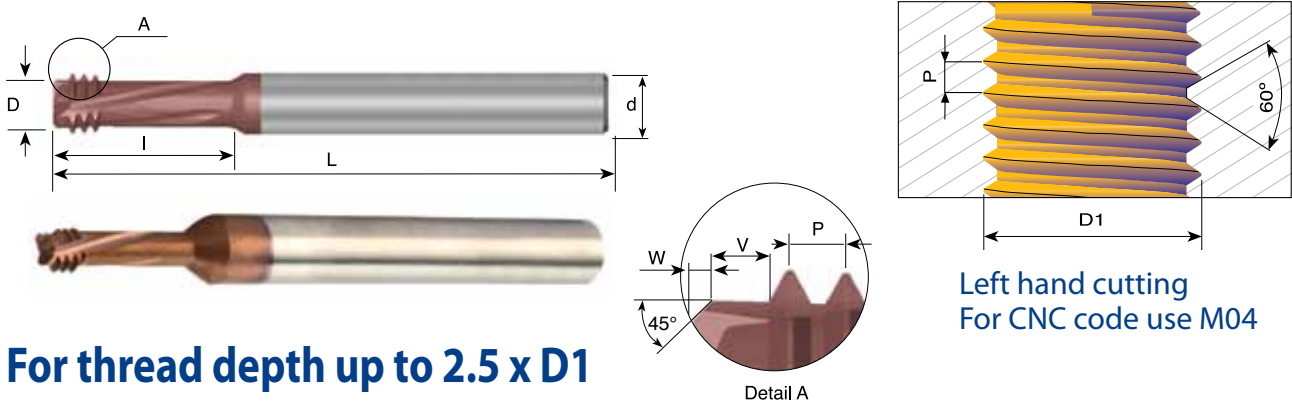


### For thread depth up to 2 x D1

Pitch mm	D1	Ordering Code	d	D	No. of Flutes	I	W	V	L
1.0	M6 - M9	DMT 08047C14 1.0 ISO	8	4.70	3	14.0	0.4	1.0	64
1.25	M8 - M12	DMT 08061D18 1.25 ISO	8	6.10	4	18.0	0.5	1.25	64
1.5	M10 - M15	DMT 08078D23 1.5 ISO	8	7.80	4	23.0	0.6	1.5	64
1.75	M12	DMT 1009D26 1.75 ISO	10	9.00	4	26.0	0.6	1.75	73
2.0	M16 - M23	DMT 12118D35 2.0 ISO	12	11.80	4	35.0	0.6	2.0	84

Order example: DMT 08047C14 1.0 ISO MT7

## ISO without internal coolant



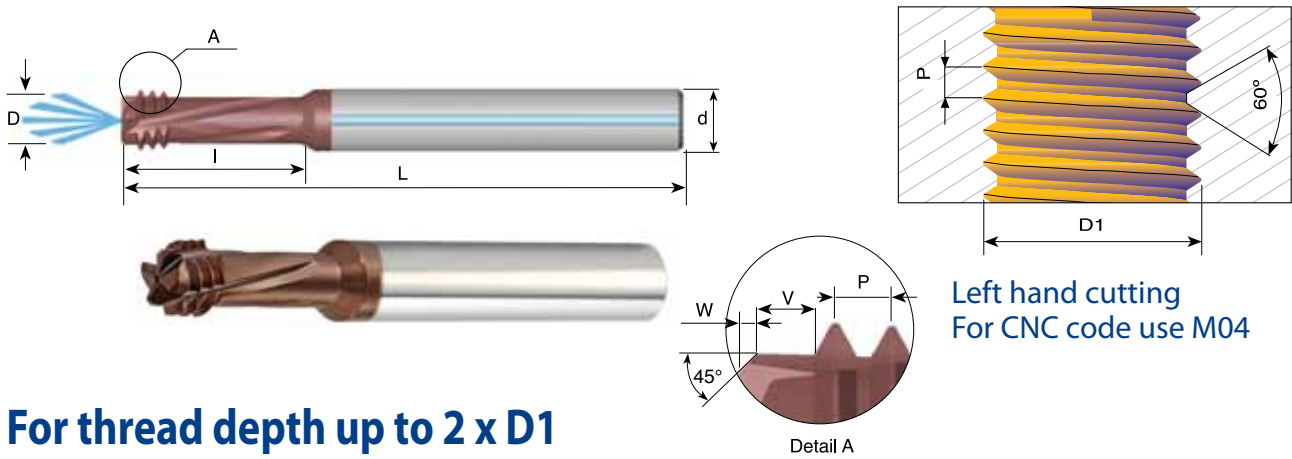
### For thread depth up to 2.5 x D1

Pitch mm	D1	Ordering Code	d	D	No. of Flutes	I	W	V	L
0.7	M4	DMT 06032C11 0.7 ISO-D	6	3.15	3	11.6	0.2	0.7	58
0.8	M5	DMT 0604C14 0.8 ISO-D	6	4.00	3	14.4	0.3	0.8	58

Order example: DMT 06032C11 0.7 ISO-D MT7

## UN with internal coolant bore

### Tools for Internal Thread

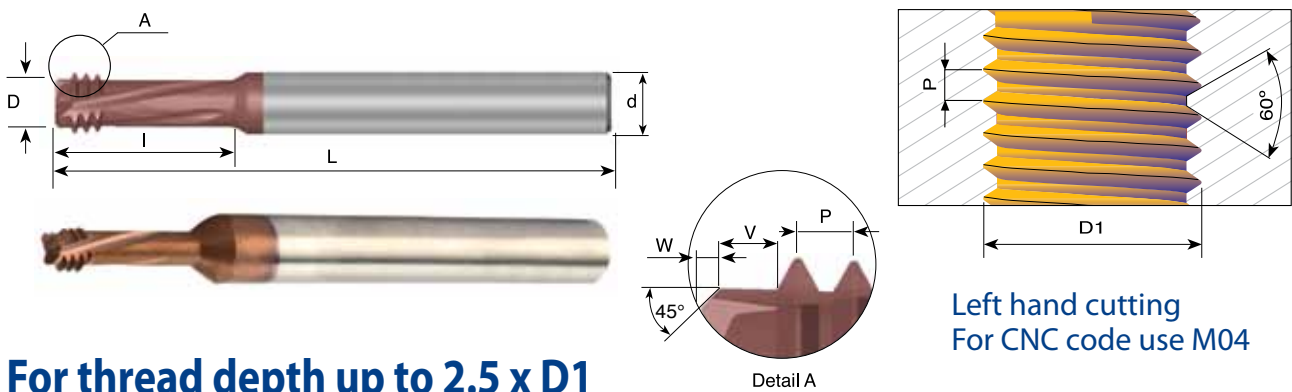


### For thread depth up to 2 x D1

Pitch TPI	UN, UNEF, UNF UNC, UNS	Ordering Code	d	D	No. of Flutes	I	W	V	L
28	1/4 - 3/8	<b>DMT 0805C14 28 UN</b>	8	5.00	3	14.5	0.4	0.9	64
24	5/16 - 1/2	<b>DMT 08065D17 24 UN</b>	8	6.50	4	17.0	0.5	1.05	64
20	1/4 - 3/8	<b>DMT 08048C14 20 UN</b>	8	4.80	3	14.0	0.4	1.25	64
18	5/16 - 7/16	<b>DMT 0806D17 18 UN</b>	8	6.00	4	17.0	0.5	1.4	64
16	3/8 - 1/2	<b>DMT 08067C22 16 UN</b>	8	6.70	3	22.0	0.5	1.6	64

Order example: DMT 08067C 22 16 UN MT7

## UN without internal coolant



### For thread depth up to 2.5 x D1

Pitch TPI	UNC	UNF	Ordering Code	d	D	No. of Flutes	I	W	V	L
36		8	<b>DMT 06033C12 36 UN-D</b>	6	3.30	3	12.0	0.2	0.7	58
32	8		<b>DMT 06032C12 32 UN-D</b>	6	3.20	3	12.3	0.3	0.8	58
32		10	<b>DMT 06038C14 32 UN-D</b>	6	3.80	3	14.0	0.3	0.8	58

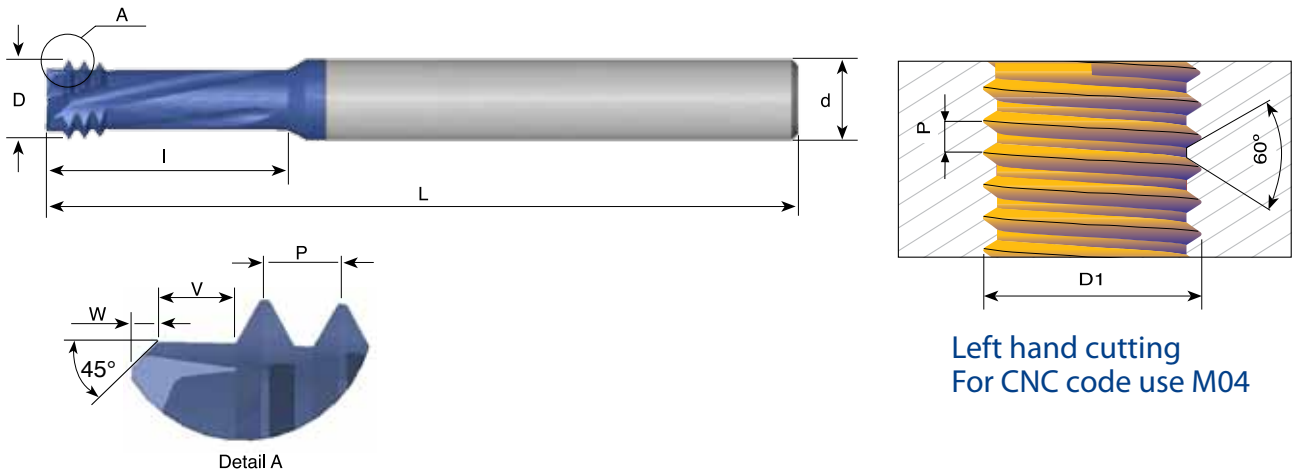
Order example: DMT 06032C12 32UN-D MT7

## DMTH

The new DMTH tools expand the range of the existing DMT line providing the ability to cut steels, hardened materials, stainless steels and super alloys.

## ISO

### Tools for Internal Thread



### For thread depth up to 2 x D1

Pitch mm	D1	Ordering Code	d	D	No. of Flutes	I	W	V	L
0.7	M4	<b>DMTH 06032 C11 0.7 ISO</b>	6	3.1	3	11.6	0.2	0.7	58
0.8	M5	<b>DMTH 0604 C14 0.8 ISO</b>	6	4.0	3	14.4	0.3	0.8	58
1.0	M6 - M9	<b>DMTH 08047 C14 1.0 ISO</b>	8	4.7	3	14.4	0.4	1.0	64
1.25	M8 - M12	<b>DMTH 08061 D19 1.25 ISO</b>	8	6.1	4	19.0	0.5	1.25	64
1.5	M10- M15	<b>DMTH 08078 D23 1.5 ISO</b>	8	7.8	4	23.6	0.6	1.5	64
1.75	M12	<b>DMTH 1009 D28 1.75 ISO</b>	10	9.0	4	28.1	0.6	1.75	73
2.0	M16- M23	<b>DMTH 12118 D36 2.0 ISO</b>	12	11.8	4	36.6	0.6	2.0	84

Order example: DMTH 1009D28 1.75 ISO MT11

## UN

### Tools for Internal Thread

### For thread depth up to 2 x D1

Pitch TPI	UN, UNEF, UNF UNC, UNS	Ordering Code	d	D	No. of Flutes	I	W	V	L
40	4	<b>DMTH 06021 C7 40 UN</b>	6	2.1	3	7.0	0.1	0.6	58
32	6	<b>DMTH 06026 C8 32 UN</b>	6	2.6	3	8.7	0.1	0.8	58
28	1/4-3/8	<b>DMTH 0805 C14 28 UN</b>	8	5.0	3	14.9	0.4	0.9	64
24	5/16-1/2	<b>DMTH 08065 D18 24 UN</b>	8	6.5	4	18.5	0.5	1.05	64
20	1/4-3/8	<b>DMTH 08048 C15 20 UN</b>	8	4.8	3	15.6	0.4	1.25	64
18	5/16-7/16	<b>DMTH 0806 D19 18 UN</b>	8	6.0	4	19.2	0.5	1.4	64
16	3/8-1/2	<b>DMTH 08067 C22 16 UN</b>	8	6.7	3	22.8	0.5	1.6	64
13	1/2	<b>DMTH 10092 C30 13 UN</b>	10	9.2	3	30.0	0.6	2.0	73
11	5/8	<b>DMTH 12114 C37 11 UN</b>	12	11.4	3	37.0	0.6	2.3	84

Order example: DMTH 08048 C15 20UN MT11